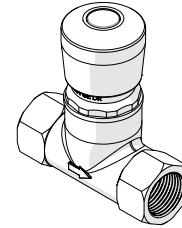




# Ezy-Push<sup>®</sup> Push Button Tapware

## PRODUCT CODES:

- 35535



## SPECIFICATIONS

- Vandal resistant push button design with constant flow, regardless of pressure.
- Galvin Specialised recommends the installation of strainers and pressure reducing valves to ensure clean consistent supply. Debris or poor water quality could cause the push button to seize or fail to seal.
- Easy to operate.
- Low maintenance.

**IMPORTANT:** All Ezy-Push<sup>®</sup> Push Button taps are tested in accordance with AS/NZS 3718 and leave our premises in good working order.

## TECHNICAL DATA

Inlet		15 BSP - Female
Outlet		N/A
Headwork		Push Button
Working Pressure Range (kPa)	Min	50
	Max	500
Maximum Working Temperature (°C)	Min	5
	Max	60
Nominal Flow Rate (LPM)		N/A
Finish		Brass

**NOTE:** Galvin Specialised continually strive to improve their products. Specifications may change without notice.

## PRE-INSTALLATION

### MOUNTING DETAILS

*Note: Before installation, all lines must be flushed. We recommend that a line strainer be installed prior to drinking taps to eliminate any foreign material.*

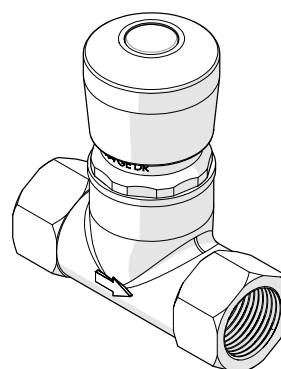
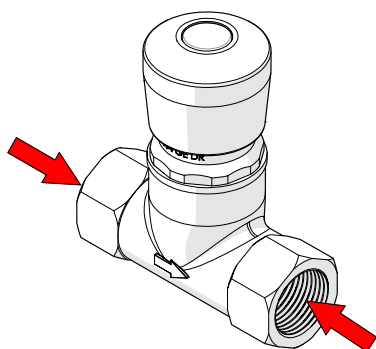
## TOOLS REQUIRED

- Spanner
- Thread tape



## INSTALLATION

**IMPORTANT:** Galvin Specialised products must be installed in accordance with these installation instructions and in accordance with AS/NZS 3500, the PCA and your local regulatory requirements. Water and/or electrical supply conditions must also comply to the applicable national and/or state standards. Failing to comply with these provisions shall void the product warranty and may affect the performance of the product.



### 1. Connect the body to water line

- Connect the water on both ends.  
Flow restrictors must be fitted prior to the valve bodies to reduce the flow rate to the desired level.

**Note: Never operate without flow restrictors, as Ezy-Push® Push Button Tapware will deliver full mains pressure with unrestricted flow**

### 2. Testing

- Once connected turn on water and check for leaks and correct operation.



TROUBLESHOOTING		
PROBLEM	CAUSE	RECTIFICATION
Inconsistent flow	Blocked top assembly	Remove top assembly and clean
Water is not flowing from tap	Water is turned off	Turn on water
	Blocked flow restrictor	Remove restrictor and clean
Continuous flow	Top assembly cartridge loose or internally obstructed or damaged	Remove cartridge, clean with water and re-grease spindle if required
Button hard to press	The mains pressure may be too great	Reduce to below 500kPa (70PSI). Regrease spindle if required



## WARRANTY

The warranty set forth herein is given expressly and is the only warranty given by the Galvin Engineering Pty Ltd. With respect to the product, Galvin Engineering Pty Ltd makes no other warranties, express or implied. Galvin Engineering Pty. Ltd. hereby specifically disclaims all other warranties, express or implied, including but not limited to the implied warranties of merchantability and fitness for a particular purpose.

Galvin Engineering Pty Ltd products are covered under our manufacturer's warranty available for download from [www.galvinengineering.com.au](http://www.galvinengineering.com.au) Galvin Engineering Pty Ltd expressly warrants that the product is free from operational defects in workmanship and materials for the warranty period as shown on the schedule in the manufacturer's warranty. During the warranty period, Galvin Engineering will replace or repair any defective products manufactured by Galvin Engineering without charge, so long as the terms of the Manufacturer's warranty are complied with.

The remedy described in the first paragraph of this warranty shall constitute the sole and exclusive remedy for breach of warranty, and Galvin Engineering Pty Ltd shall not be responsible for any incidental, special or consequential damages, including without limitation, lost profits or the cost of repairing or replacing other property which is damaged if this product does not work properly, other costs resulting from labour charges, delays, vandalism, negligence, fouling caused by foreign material, damage from adverse water conditions, chemical, electrical or any other circumstances over which Galvin Engineering has no control. This warranty shall be invalidated by any abuse, misuse, misapplication, improper installation or improper maintenance or alteration of the product.

